

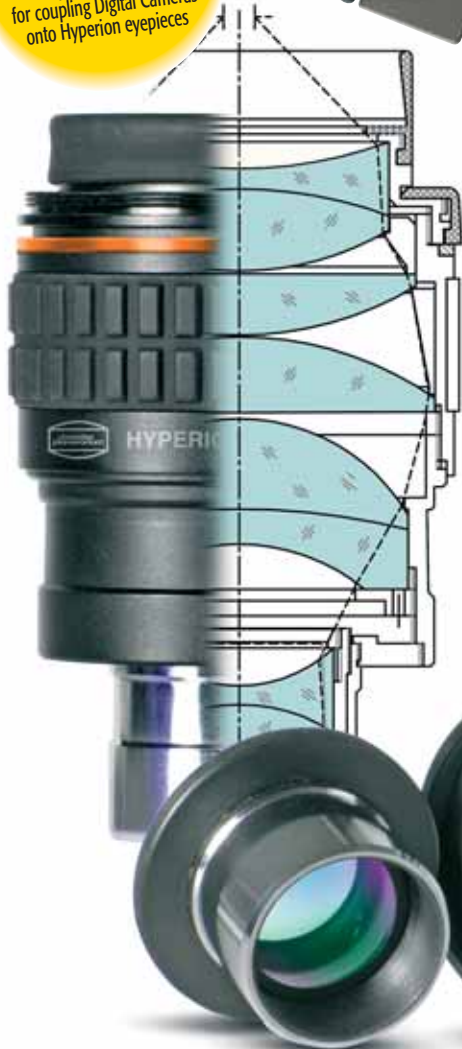
Much more than just another eyepiece!

The multifunctional Baader Hyperion 68° Modular Eyepieces

Perfectly suited for afocal projection imaging with the help of up to 16 special digital T-rings.
Featuring an auto locking 2" sleeve – capable of securely supporting the heaviest digital and video cameras.

Carl Zeiss Diastocope FL 85
with Hyperion attached

Afocal Eyepiece Projection for \$12!
For this low price you get a Hyperion DT ring for coupling Digital Cameras onto Hyperion eyepieces



Characteristics for visual use

- Optimal 68° apparent field of view, the largest accessible to the stationary human eye. The entire field remains visible despite the slight involuntary motions of an observer's head that simply can't be avoided. The 80°+ apparent fields of many other eyepiece designs may sound very appealing on paper, but the need for the observer to slavishly maintain an eye position precisely on the optical axis is seldom if ever mentioned. The annoying „kidney bean effect“, the bane of many ultra wide-field eyepiece designs, is completely absent in the Hyperion.
- 8 lens elements in 5 groups provide outstanding sharpness and color correction over the entire field.
- Comfortable eye relief of 20 millimeters.
- No vignetting or falloff of illumination near the edge of the field.
- The use of high-index glasses results in minimal distortion and astigmatism.
- Unsurpassed color fidelity. Many eyepieces that employ cheaper glasses or inferior designs impart a yellow or blue cast to the image. With Hyperion eyepieces white stays white!
- The most advanced anti-reflection multicoatings are employed on all ten air to glass surfaces for maximum light throughput and brilliant images. All coatings are carefully matched to the index of refraction for each of the different glass substrates used.
- The painstaking design and execution of baffling has all but eliminated troublesome stray light and ghost reflections. Don't take our word for it – test it for yourself! Put a Hyperion eyepiece and your own eyepieces onto a matte black surface and allow a beam of sunlight or an

Characteristics as a Projection Ocular

- For afocal projection imaging, the digital camera threads S 54 and M43 x 0.75 have been incorporated for compatibility with our Series 54 digital T-rings that permit attaching almost any digital and video camera without vignetting. These threads are protected by caps when not in use.
- The M 43 x 0.75 thread directly screws into many video cameras, notably the recent 3 CCD-Cameras manufactured by Panasonic. Our series of S 54 digital T-adaptor rings screw directly into the filter thread of most digital cameras and digital camcorders.
- Some camera models equipped with exposed, movable zoom lenses will require a separate intermediate (filter) adaptor available from the manufacturer. However, the vast majority of large digital cameras and camcorders of recent vintage feature an internal zoom lens with a fixed front lens and standard filter threads.
- The robust construction of Hyperion eyepieces is capable of directly supporting heavy video and film cameras weighing up to 3 kilograms. Hyperion eyepieces are also ideal for use with so-called clamping-style universal digital camera holders like the Baader Microstage # 2450333, and will precisely support cameras squarely with respect to the optical axis, due to their straightforward cylindrical shaped outer body.
- With or without the removable negative lens group, the Hyperion eyepiece is an incredibly sharp projection system.
- In combination with a short-focus objective as small as 60mm aperture, the same afocal imaging configuration can be employed in industry for monitoring hazardous operations like plasma welding from a safe distance.

How to make your Hyperion eyepiece „camera-ready“

1. Adapter System SP 54 – for afocal projection photography:

Hyperion digital T-Rings, each model carefully designed to ensure the shortest possible distance between eyepiece and digital camera lens.

# 295 8090	Hyperion SP 54 / Sp 54 11mm Extension Ring	\$ 10,-
# 295 8028	Hyperion DT-Ring SP 54 / M 28 (needs to add # 2958090)	\$ 11,-
# 295 8037	Hyperion DT-Ring SP 54 / M 37 (needs to add # 2958090)	\$ 11,-
# 295 8046	Hyperion DT-Ring SP 54 / M 46	\$ 11,-
# 295 8049	Hyperion DT-Ring SP 54 / M 49	\$ 10,50
# 295 8052	Hyperion DT-Ring SP 54 / M 52	\$ 10,50
# 245 8055	Hyperion DT-Ring SP 54 / M 55	\$ 10,50
# 295 8058	Hyperion DT-Ring SP 54 / M 58	\$ 10,50
# 295 8062	Hyperion DT-Ring SP 54 / M 62	\$ 12,-

2. Adapter System M 43/T-2 – for classic eyepiece projection photography

# 295 8080	Hyperion T-Adapter M43/T-2 (M42 x 0.75)	\$ 12,-
------------	--	---------

M 42x0.75 (T-2) Extension Tubes – for increased image scale

# 150 8155	T-2 Extension Tube 7.5 mm	\$ 14,-
# 150 8154	T-2 Extension Tube 15 mm	\$ 15,-
# 150 8153	T-2 Extension Tube 40 mm (add your regular SLR – T-Ring – or add item below)	\$ 16,-
# 2458120	regular eyepiece clamp T-2/ 1 1/4" (for Webcams)	\$ 18,-

Packaging / Storage:

- Each Hyperion Eyepiece is supplied with two removable rubber eyecups / thread covers, three dust caps (1.25-inch, 44 mm, and 48 mm), and a soft leather pouch. The upper eyecup may be folded down for use with eyeglasses and protected with the 48 mm (1.9") dustcap, or remain folded upward – with the 44 mm (1.7") dustcap as a cover.

Single unit price: **\$ 129,-**
Twin price (two eyepieces of the same focal length) **\$ 250,-**
Set price for all six Hyperion eyepieces: 3.5 mm, 5 mm, 8 mm, 13 mm, 17 mm, 21 mm: **\$ 699,-**

1 1/4" Diastocope-bayonet-adaptor (# 2454500)

3,5 mm
2454603

5 mm
2454605

8 mm
2454608

13 mm
2454613

17 mm
2454617

21 mm
2454621

Small selection of available DT-Rings – will suit (almost) every camera.



Panasonic 3CCD Videocamera, directly coupled onto M43 Hyperion-thread



Afocal Projection = incl. mounted camera lens

Hyperion Eyepiece for Webcam eyepiece projection imaging with Adapter M43/T-2 (2958080), T-2 Extension 40mm # 150815 and Eyepiece clamp # 2458120 1 1/4" (w/o Picture)

Classical eyepiece projection = w/o camera lens



Hyperion eyepiece projection with DSLR camera body using Adapter M43/T-2 (2958080), T-2 Extension 7,5mm # 150815 and Baader DSLR T-Ring (incl. Filterholder!) Canon EOS # 2458036

intense artificial light source to shine into the eyepieces from above. Looking into the eyepieces from some distance you will note that some eyepiece interiors will shine milky white with stray light, resulting in a „flat“ image with reduced contrast. Not the Hyperion! Under all conditions of illumination, the interior of a Hyperion eyepiece will appear jet black, testimony to the virtual elimination of stray light.

- Shortest field stop position of all widefield-eyepieces known to us. Specifically designed for binocular viewing
- Ideal for use with accessory binocular viewers thanks to a tight barrel diameter (58 millimeters with the removable neoprene rubber grip ring, 56 millimeters with the grip ring removed) that permits interpupillary distance settings of as little as 56 millimeters, permitting stereo wide views even for kids.
- Each Hyperion eyepiece in the series is actually two eyepieces in one! Simply by unscrewing the forward 1.25-inch diameter portion of barrel that houses the negative achromat lens group, will provide a wide-field eyepiece of much longer focal length. Color correction remains excellent, and the field curvature that results is no greater than in a decent specimen of the 6-element Erfle design (and that's what it is actually, when the negative achromat is removed).
- Removing the negative lens group exposes an M 48 female thread at the end of the 2-inch diameter barrel of the long focal length component so that large-format light pollution and nebular filters can be employed.
- Thanks to the short 1.25 chrome sleeve of 0.94", all Hyperion's are principally compatible with spotting scopes, including high-end units by Leica, Swarovski, and Zeiss. For Zeiss Diastocope models we already offer an 1.25-inch Diastocope-Bayonet Adaptor (# 2454500 – see image above right).

baader
planetarium

BAADER PLANETARIUM

Zur Sternwarte · 82291 Mammendorf · Telefon: 0 81 45 / 88 02 · Telefax: 0 81 45 / 88 05

www.baader-planetarium.de · service@baader-planetarium.de · www.celestron.de · www.sbig.de